

**BLs 1.6**



## *Sheet Metal Shear*



### ***SERVICE***

***Tool service and maintenance must be performed only by qualified repair personnel.***

***When servicing a tool, only use identical replacement parts available from FEIN.***

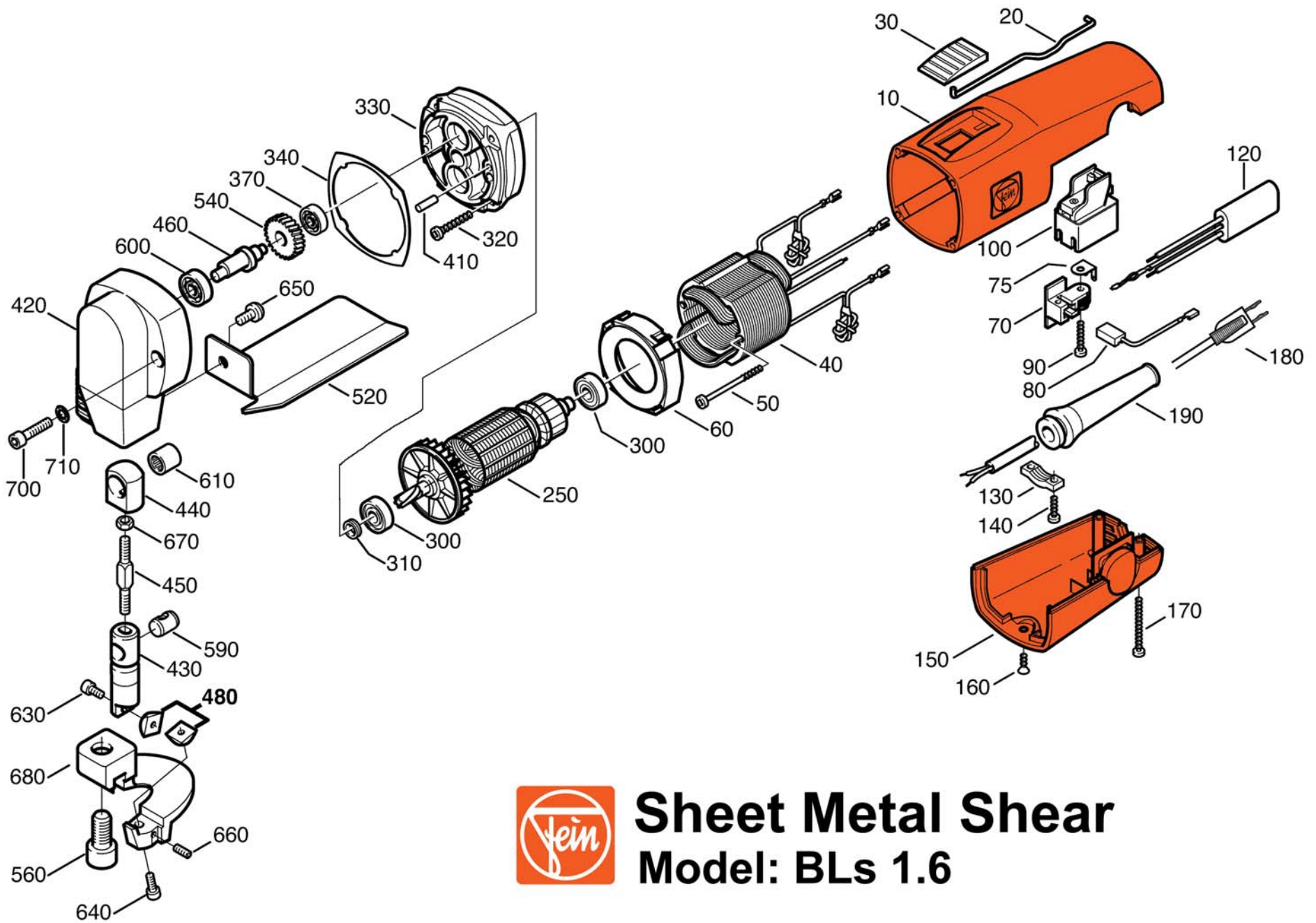
Repairs on FEIN Power Tools required the use of special tools (pulling devices and bearing press). Authorized repair centers have trained repair technicians and equipment necessary to perform these repairs. Service or repairs performed by unqualified persons could result in operator injury.

For the location of the repair center near you, please call 1-800-441-9878. Monday thru Friday, 9AM to 5PM EST. Or, look on our web site at [www.feinus.com](http://www.feinus.com) and follow the link to "Authorized Warranty Repair Centers"

**FEIN Power Tools  
1030 Alcon Street  
Pittsburgh, PA 15220**

Phone: 412-922-8886 Fax: 412-922-8767 Toll Free: 1-800-441-9878

April 15, 2004



# Sheet Metal Shear

## Model: BLs 1.6

## Fein Power Tools

### BLs 1.6 Parts List

<u>Item</u>	<u>Item Number</u>	<u>Description</u>	<u>Reqd.</u>	
10	3-19-01-109-02-4	MOTOR HOUSING	1	_____
20	3-28-16-051-00-1	ROD	1	_____
30	3-28-05-152-00-9	SWITCH BUTTON	1	_____
40	5-1-272-004-11-9	FIELD COIL	1	_____
50	4-30-70-014-00-0	SCREW	2	_____
60	3-14-28-114-00-8	AIR CONDUCTING RING	1	_____
70	3-07-12-087-01-5	BRUSH HOLDER	2	_____
75	3-07-17-193-00-0	BRUSH CAP	2	_____
80	3-07-11-129-00-9	CARBON BRUSH	2	_____
90	4-30-70-015-00-4	SCREW	2	_____
100	3-07-01-060-00-0	SWITCH	1	_____
120	3-07-22-178-01-6	CAPACITOR	1	_____
130	3-24-31-026-00-9	CABLE CLAMP	1	_____
140	4-30-70-001-00-6	SCREW	2	_____
150	3-24-27-108-01-6	COVER	1	_____
160	4-30-70-003-00-3	SCREW	1	_____
170	4-30-70-003-00-3	SCREW	2	_____
180	3-07-07-370-01-8	CABLE	1	_____
190	3-14-13-164-00-9	CABLE PROTECTING SLEEVE	1	_____
250	5-3-272-005-11-5	ARMATURE	1	_____
300	4-17-01-001-17-2	BALL BEARING	2	_____
310	3-26-12-125-00-0	PACKING RING	1	_____
320	4-30-70-026-00-6	SCREW	4	_____
330	3-15-06-353-00-7	INTERMEDIATE BEARING	1	_____
340	3-06-10-033-00-0	SEALING	1	_____
370	4-17-01-202-01-8	BALL BEARING	1	_____
410	4-02-01-036-00-6	CYLINDRICAL PIN	1	_____
420	3-13-08-081-00-6	HOUSING	1	_____
430	3-13-08-083-00-3	PLUNGER	1	_____
440	3-13-08-084-00-1	CONNECTING ROD	1	_____
450	3-13-08-085-00-5	THREADED BOLT	1	_____
460	3-13-08-070-00-8	ECCENTRIC SHAFT	1	_____
480	3-13-08-072-00-0	FIXED BLADE	1	_____
520	3-13-08-087-00-2	HAND GUARD	1	_____
540	3-36-57-166-00-9	SPUR WHEEL 29T	1	_____
560	4-30-35-123-10-2	SCREW	1	_____
590	3-13-08-086-00-8	CONNECTING ROD BOLT	1	_____
600	4-17-01-234-02-3	BALL BEARING	1	_____
610	4-17-05-028-00-6	NEEDLE BUSHING	1	_____
630	4-30-35-004-04-1	SCREW	1	_____
640	4-30-35-113-04-1	SCREW	1	_____
650	4-30-64-017-05-1	GUARD BOLT	1	_____
660	4-30-58-013-04-7	SCREW	1	_____
670	4-20-01-041-00-0	NUT	1	_____
680	3-13-08-082-00-9	SHOE	1	_____
700	4-30-35-014-05-8	SCREW	2	_____
710	4-24-43-004-05-7	LOCK WASHER	2	_____